

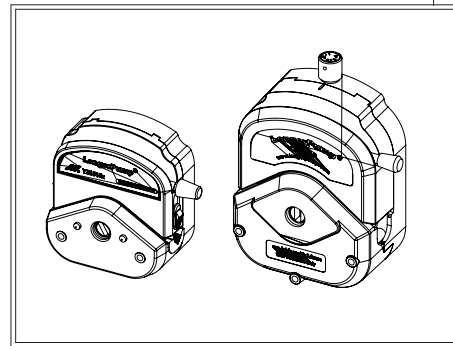
Baoding Longer Precision Pump Co., Ltd.

Add: 3rd/4th Floor, Building 6B, University Science Park Baoding National, High - Tech Industrial Development Zone Baoding, Hebei, China 071051
 Tel: 86 - 312 - 3110087 3138553
 Fax: 86 - 312 - 3168553
 E - mail: longer@longerpump.com
 Http://www.longerpump.com

November 2018

YZ Series Peristaltic Pump Heads

YZ Series Pump Head Operating Manual



Baoding Longer Precision Pump Co., Ltd.

Introduction

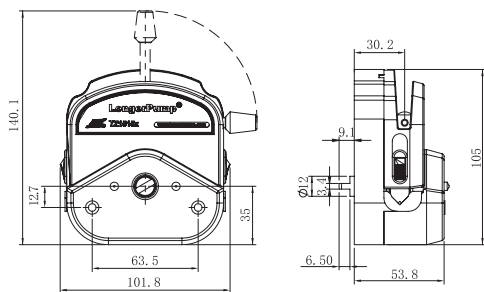
YZ series pump heads are designed for easy-to-use peristaltic pump system. With these pump heads, tubing loading becomes very easy and fast. The pump heads can be stackable for multi-channel pumping and adapt easily to OEM applications. PSU housing of Pump head is steady, autoclavable (150°C), but organic solvent non-resistance. The rotor adopt high performance materials. The specifications are shown as below:

| Type | Product Code | Number Of Rollers | Roller Material | Housing Material | Weight (kg) | |
|-----------|--------------|-------------------|-----------------|------------------|-------------|------|
| YZ1515x-A | 05.01.52A | 3 | SS | PESU | 0.4 | |
| YZ1515x-B | 05.01.52B | 6 | | PESU | | |
| YZ1515x-C | 05.01.52C | 3 | | PPS | | |
| YZ1515x-D | 05.01.52D | 6 | | PPS | | |
| YZ2515x-A | 05.01.53A | 3 | | PESU | | 1.65 |
| YZ2515x-C | 05.01.53C | | | PPS | | |
| YZ35-13-A | 05.01.58A | | PSU | | | |
| YZ35-13-B | 05.01.58B | | | | | |

Note:
 PSU/PESU housing of Pump head is organic solvent non-resistant!

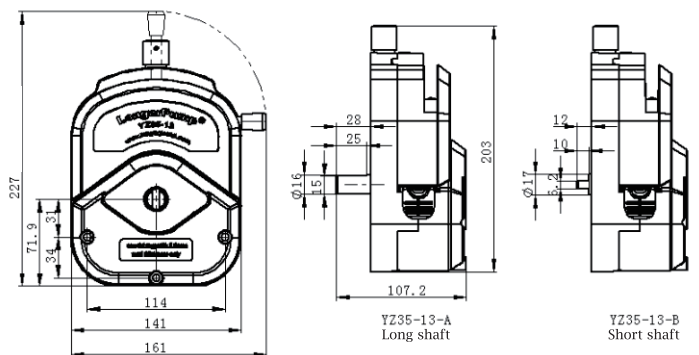
| Type | Applicable Tubing | | | Speed (rpm) | Flow Rates (mL/min) |
|---------|-------------------|-------------------------|---------|-------------|---------------------|
| | Tubing Type | ID × Wall Thickness(mm) | OD (mm) | | |
| YZ1515x | 13# | 0.8 × 1.6 | 4.0 | ≤600 | 38 |
| | 14# | 1.6 × 1.6 | 4.8 | | 150 |
| | 19# | 2.4 × 1.6 | 5.6 | | 250 |
| | 16# | 3.2 × 1.6 | 6.4 | | 460 |
| | 25# | 4.8 × 1.6 | 8.0 | | 960 |
| | 17# | 6.4 × 1.6 | 9.6 | | 1600 |
| YZ2515x | 18# | 7.9 × 1.6 | 11.1 | ≤600 | 2200 |
| | 15# | 4.8 × 2.4 | 9.6 | | 960 |
| YZ35-13 | 24# | 6.4 × 2.4 | 11.2 | ≤600 | 1600 |
| | 73# | 9.6 × 3.3 | 16.2 | | 6000 |
| | 82# | 12.7 × 3.3 | 19.3 | | 11000 |

Dimensions



YZ1515x, YZ2515x Pump Head Installation Dimensions (Unit: mm)

Dimensions



YZ35-13 Pump Head Installation Dimensions (Unit: mm)

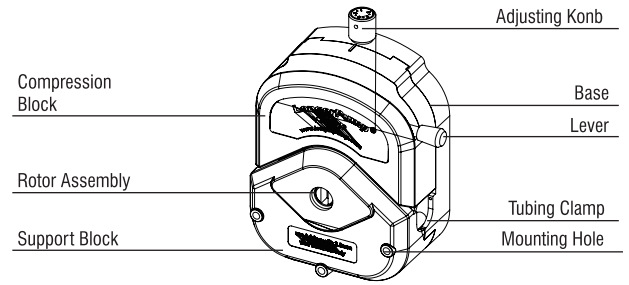
⚠ Important Information:

Please read operating manual carefully before operation.

⚠ Warning:

- Tubing breakage may result in fluid being sprayed from pump. Use appropriate measures to protect operator and equipment. Please check the tubing frequently and change the tubing in time.

YZ35-13 Pump Head Operating Instruction

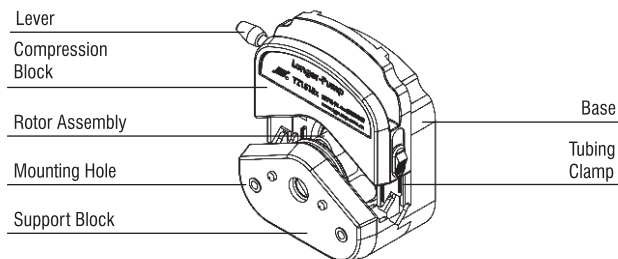


YZ35-13

❖ Tubing Loading

- Rotate the lever 180° counter clock wise to open the compression block.
- Load tubing between rollers and compression block.
- Rotate the lever 180° clock wise to close the compression block. Adjusting the tubing clamps to hold the tubing to prevent the tubing from sliding.
- The tubing should be special tubing for peristaltic pump application.

YZ1515x, YZ2515x pump head Operating Instruction



YZ1515x/YZ2515x

❖ Tubing Loading

- Rotate the lever 180° counter clock wise to open the compression block.
- Put up the tubing clamps on both sides. Load tubing between rollers and compression block.
- Rotate the lever 180° clock wise to close the compression block. Adjusting the tubing clamps to hold the tubing to prevent the tubing from sliding.



Note

The tubing clamps of YZ1515x and YZ2515x pump head can fit different size tubing automatically.

The tubing should be special tubing for peristaltic pump application.

❖ Pump Head Installation

- Insert the two mounting screws into the mounting holes of the pump head. Insert the flat end of the pump head's shaft to the slot of drive's coupling. Then tighten the mounting screws to connecting hole of drive.
- Stackable pump heads need longer mounting screws.



Note

Try your best to tighten the two screws in the same degree.

Do not over-tighten the screws to prevent the support block from deforming.

❖ Occlusion Adjustment

- Adjusting Procedure
After loading tubing in pump head and turn the adjusting knob clockwise to make the occlusion maximum. Insert one side of tubing in water and blow to the other side of the tubing. If there is not air bubble in water the knob doesn't need to be adjusted. If there is air bubble in water, adjust the knob clockwise until the location where there is not air bubble in water. If the occlusion is minimum there is still air bubble in water. The wall thickness is too thin to be used in this pump head.

❖ Pump head installation

- Insert the three mounting screws into the mounting holes of the pump head. Insert the flat end of the pump head's shaft to the slot of drive's coupling. Then tighten the mounting screws to connecting hole of drive.
- Stackable pump heads need longer mounting screws.

Maintenance

- When the pump is idle, we recommend you to release the tubing from pressure. This helps to protect the tubing from unnecessary strain and prolongs its service life
- Keep rollers clean and dry. This will prolong the service lives of tubing and pump head.

Warranty

The warranty period for this product is one year. If repair or adjustment is necessary within the warranty period, the problem will be corrected at no charge if it is not due to misuse or abuse on your part, as determined by the manufacturer. Repair costs outside the warranty period, or those resulting from product misuse or abuse, may be invoiced to you.