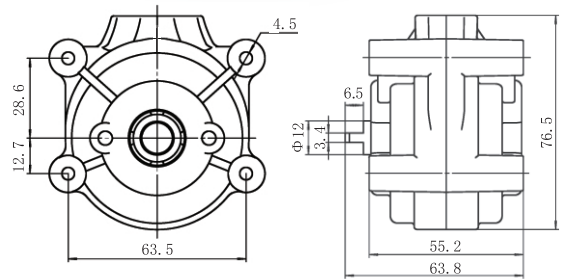
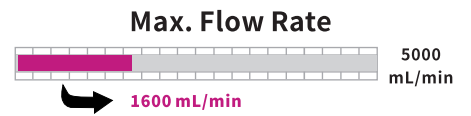


Standard Pump Head

BZ Series

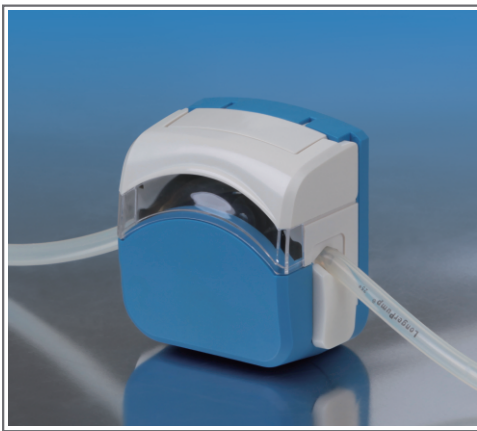
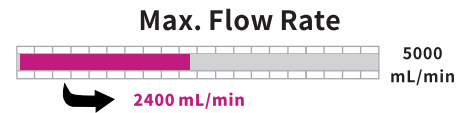


- Original design, stable flow rate, each pump head accommodates a single size of tubing.

PUMP HEADS

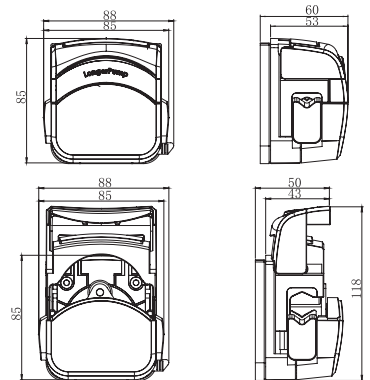
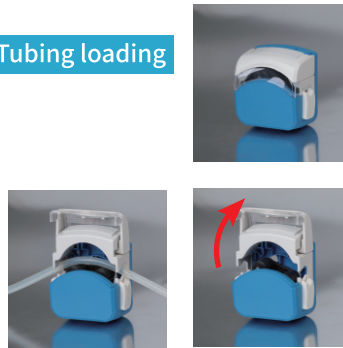
Flip-type Pump Head

FG15-13, FG25-13



- Distinctive design, unique installation mode.

Tubing loading



Model	Product Code	Roller Number	Roller Material	Housing Material	Speed (rpm)	Tubing	Max. Flow Rate (mL/min)	Weight (kg)
BZ15-13-A	05.01.01A	3	Stainless steel	PC	≤ 600	14"	150	0.31
BZ15-13-B	05.01.01B					16"	460	
BZ15-13-C	05.01.01C					25"	960	
BZ15-13-D	05.01.01D					17"	1600	
BZ25-13-B	05.01.00B					24"	1600	
FG15-13-A (Slot)	05.01.63A	3	PA6	IXEF	≤ 600	13" 14" 19"	2400	0.28
FG15-13-B (Tang)	05.01.63B					16" 25" 17" 18"		
FG25-13-A (Slot)	05.01.64A					15" 24"	2200	
FG25-13-B (Tang)	05.01.64B							