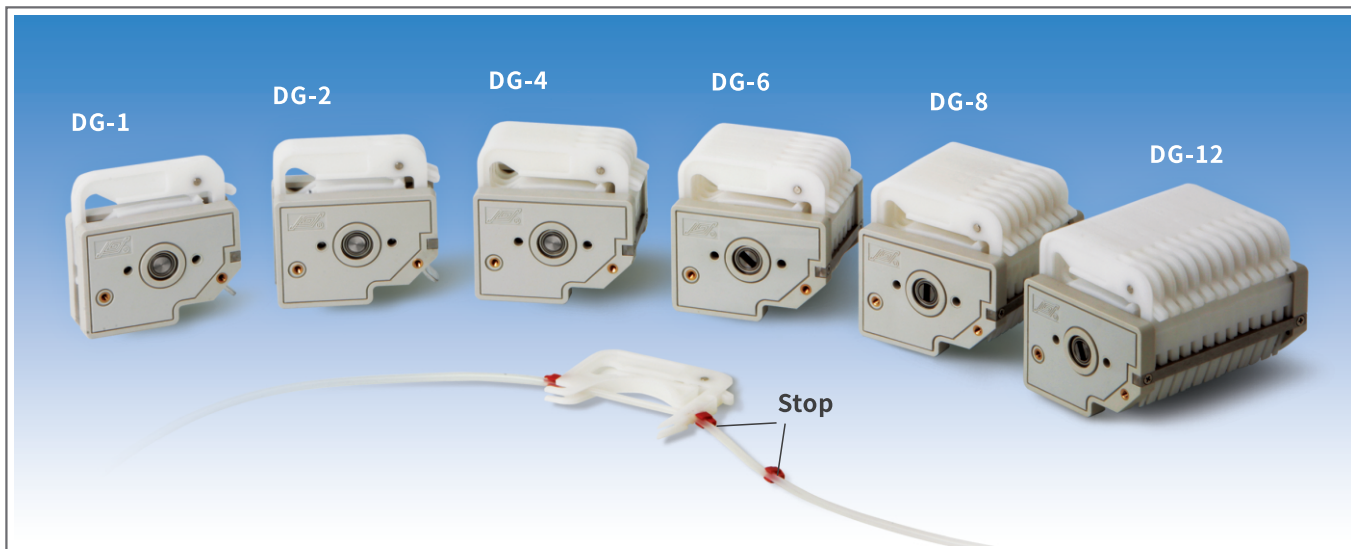


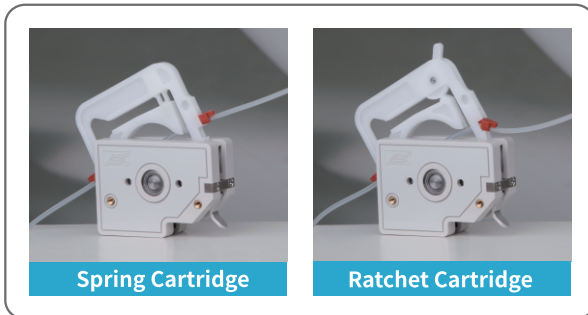
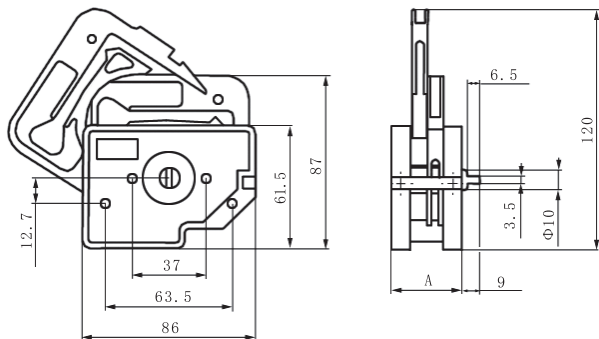
Multi-channel Small Flow Pump Head

DG Series

Max. Flow Rate



PUMP HEADS



- Discrete cartridge, special tubing sets, trigger structure of DG-1&DG-2.
- Spring cartridge can adjust the occlusion automatically to accept several different tubing wall thicknesses.
- Ratchet cartridge can adjust the occlusion by adjusting ratchet position to accept several different tubing wall thicknesses.

Model	Roller Number	Product Code	Cartridge Type	Roller Material	Cartridge Material	Channel Number	Speed (rpm)	Tubing	Max. Flow Rate (mL/min)	Weight (kg)
DG-1-A	6	05.01.10A	Ratchet	Stainless Steel	DG--A/B cartridge material is POM 04.01.10A.40000	1	≤100	ID ≤ 3.17mm Wall Thickness 0.8mm-1.0mm	48(Single Channel)	0.20
DG-1-B	10	05.01.10B							32(Single Channel)	0.21
DG-2-A	6	05.01.11A				2			48(Single Channel)	0.26
DG-2-B	10	05.01.11B							32(Single Channel)	0.27
DG-4-A	6	05.01.12A				4			48(Single Channel)	0.39
DG-4-B	10	05.01.12B							32(Single Channel)	0.40
DG-6-A	6	05.01.13A				6			48(Single Channel)	0.51
DG-6-B	10	05.01.13B							32(Single Channel)	0.54
DG-8-A	6	05.01.14A				8			48(Single Channel)	0.63
DG-8-B	10	05.01.14B							32(Single Channel)	0.67
DG-12-A	6	05.01.15A				12			48(Single Channel)	0.88
DG-12-B	10	05.01.15B							32(Single Channel)	0.95

*PVDF cartridge is available