

OEM Peristaltic Pump Head

KZ10-24, KZ15-14

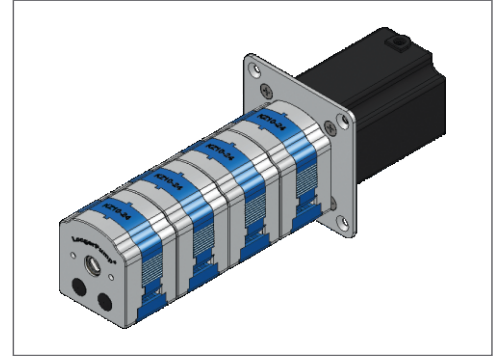
Max. Flow Rate



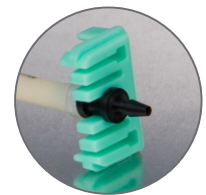
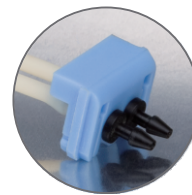
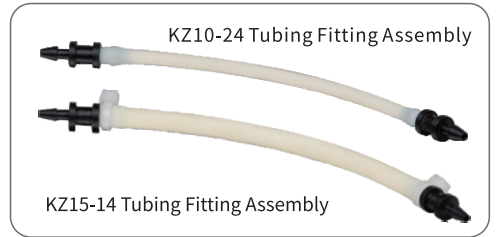
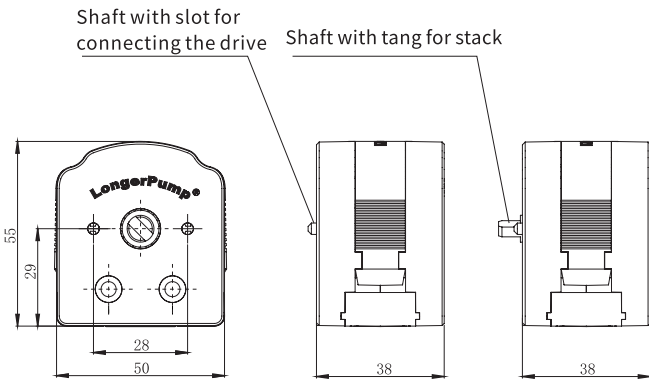
OEM PERISTALTIC PUMP



- Compact structure, suitable for OEM peristaltic pump.
- Two to four heads can be stacked for multi-channel applications.



Installation Drawing



KZ10-24 tubing clamer

KZ15-14 tubing clamer

Model	Shaft	Product Code	Channel Number	Roller Number	Roller Material	Housing Material	Speed (rpm)	Tubing	Max. Flow Rate (mL/min)	Weight (kg)
KZ10-24-A	Slot	05.01.27A	2	4	POM	POM	≤450	ID≤2.79(mm) Wall thickness 0.86(mm)	104	0.1
KZ10-24-B	Tang	05.01.27B			PVDF	PVDF				
KZ10-24-C	Slot	05.01.27C			POM	POM				
KZ10-24-D	Tang	05.01.27D			PVDF	PVDF				
KZ15-14-A	Slot	05.01.28A	1	4	POM	POM	13" 14" 19" 16"	190	0.1	
KZ15-14-B	Tang	05.01.28B			PVDF	PVDF				
KZ15-14-C	Slot	05.01.28C			POM	POM				
KZ15-14-D	Tang	05.01.28D			PVDF	PVDF				