

Micro Piston Pump

MP Series

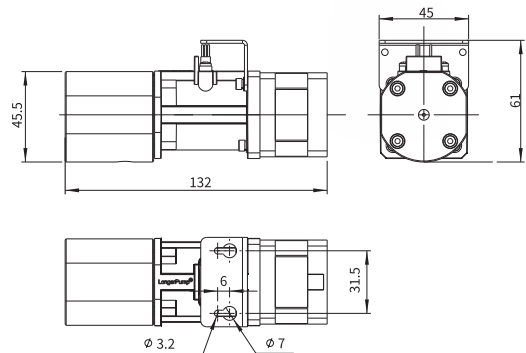


PISTON PUMP

- High Precision, Long Life.
- It can meet the strict requirement of In Vitro Diagnostic medical devices and analytical instruments for micro fluid transfer.

Pump Specification

Precision	Dispensing 100% of total volume	CV<0.1%(Pump Volume<500μL) CV<0.05%(Pump Volume ≥ 500μL)
	Dispensing 10% of total volume	CV<0.5%(Pump Volume<500μL) CV<0.1%(Pump Volume ≥ 500μL)
	Dispensing 1% of total volume	CV<2%(Pump Volume<500μL) CV<1%(Pump Volume ≥ 500μL)
Accuracy	≥99.5% at full dispensing	
Expected life	10 Million Cycles with Distilled Water 5 Million Cycles with Crystallizable solution	
System pressure	≤0.68Mpa(Depending on model)	
Full stroke	12.7mm	
Resolution	2000 steps: 0.00635mm/step	
	4000 steps: 0.003175mm/step	
Pump speed	Pump volume≤1mL: the min. time for full stroke is 0.8s	
	Pump volume of 2.5ml: the min. time for full stroke is 1s	
	Pump volume of 5ml: the min. time for full stroke is 1.2s	
Home position detection	Optical switch is used to detect the home position of the piston to initiate accurate step counts	
Dimension(L×W×H)	61×45×132(mm)	
Relative humidity	20%-80%	
Temperature	5 to 40°C	
Weight	0.51kg	



Pump Volume	Resolution(μL/step)	
	20TPI lead screw for 2000 steps	40TPI lead screw for 4000 steps
25μL	0.0125	0.00625
50μL	0.025	0.0125
100μL	0.05	0.025
250μL	0.125	0.0625
500μL	0.25	0.125
1000μL	0.5	0.25
2500μL	1.25	0.625
5000μL	2.5	1.25

Micro Piston Pump Model Configuration

