

YZ Industrial Pump Head

Max. Flow Rate



YZ35-13

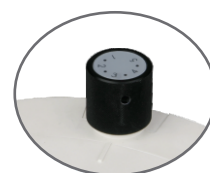


Mainly for industrial applications

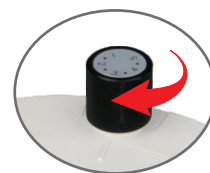
Two tubing retention modes

- Continuous tubing
- Tubing with fittings

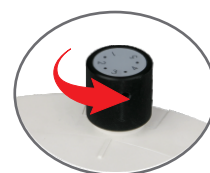
Occlusion Adjustment



① Standard position



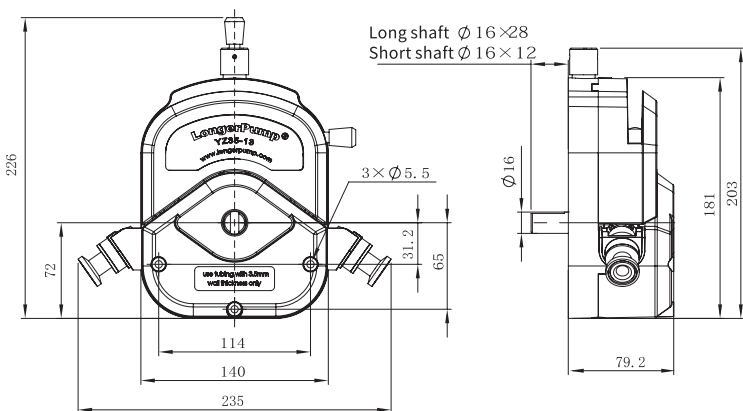
② Decrease occlusion



③ Increase occlusion



Tubing Fitting Assembly



For continuous tubing



For tubing with fittings

Model	Shaft	Product Code	Roller Number	Roller Material	Housing Material	Speed (rpm)	Tubing	Max. Flow Rate (mL/min)	Weight (kg)
YZ35-13-A	Long	05.01.58A	3	Stainless steel	PSU	≤600	73" 82"	11000	1.65
YZ35-13-B	Short	05.01.58B							