

OEM Variable Speed Peristaltic Pump

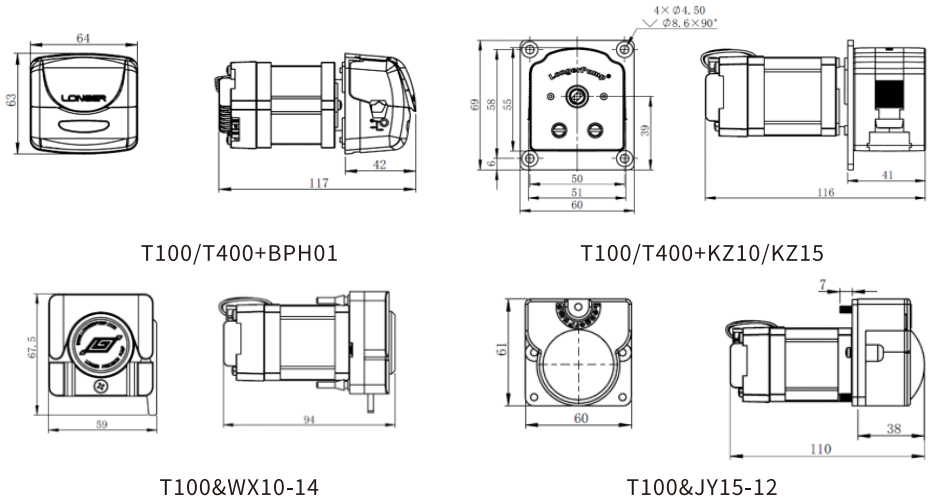
LONGER

A Halma company

SE01 Series with Integrated Driver



- Compact size and structure, utilizing a NEMA 17 stepper motor with an integrated driver
- Control the pump through digital signals, analog signals and pulse signals.
- Compatible with various peristaltic pump heads with a wide flow range.



	T100-SE01&BPH01 T100-SE01-02 T100-SE01&WX10-14-H T100-SE01&JY15-12-C	T400-SE01&BPH01 T400-SE01-02
Pump Speed	0-100rpm	0-400rpm
Speed resolution	0.1rpm	1rpm
Running direction control	Pump running direction is controlled by a switch signal (dry contact signal). The trigger mode can be configured via communication commands to either level trigger or pulse trigger. Factory default setting: level trigger mode, contact open for clockwise, contact closed for counterclockwise.	
Start/stop control	Start/stop is controlled by a switch signal (dry contact signal). The trigger mode can be configured via communication commands to either level trigger or pulse trigger. Factory default setting: level trigger mode, contact open for start, contact closed for stop.	
DIP switch setting for pump speed	The DIP switch can set the pump speed to 0-100rpm, and each DIP position corresponds to a step of 5rpm.	The DIP switch can set the pump speed to 0-400rpm, and each DIP position corresponds to a step of 20rpm.
External signals for pump speed	The pump speed will be proportional to the external speed signal: 4-20mA, 0-5V, 0-10V, 0-10kHz. The relationship between the signal range and speed range can be configured through communication commands.	
Output	DC5V 10mA	
Power supply	DC24V/8W	DC24V/12W
Dimensions(L*W*H)	With BPH01 pump head: 117x64x63mm With KZ10/KZ15 pump head: 110x60x69mm With WX10-14 pump head: 94x59x67.5mm With JY15-12 pump head: 116x60x61mm	
Mounting method	Panel mount	
Working condition	Temperature: 0°C-40°C, relative humidity<80%	
Weight	With WX10-14 pump head: 0.47kg; With BPH01/JY15/KZ10/KZ15 pump head: 0.54kg	

Pump Drive	Max Speed	Pump Head	Tubings	Max Flow Rate(mL/min)
T100-SE01-02	100rpm	KZ10	ID≤3.17mm, W.T. : 0.86mm	23
		KZ15	13#, 14#, 19#, 16#	42
T400-SE01-02	400rpm	KZ10	ID≤3.17mm, W.T. : 0.86mm	92
		KZ15	13#, 14#, 19#, 16#	168
T100-SE01&BPH01	100rpm	BPH01(Included)	13#, 14#, 19#, 16#, 25#	82
T400-SE01&BPH01	400rpm	BPH01(Included)	13#, 14#, 19#, 16#, 25#	340
T100-SE01&WX10-14-H	100rpm	WX10-14-H (Included)	ID≤3.17mm, W.T. : 0.8-1mm	40
T100-SE01&JY15-12-C	100rpm	JY15-12-C(Included)	25#, 17#	170