

OEM Variable Speed Peristaltic Pump

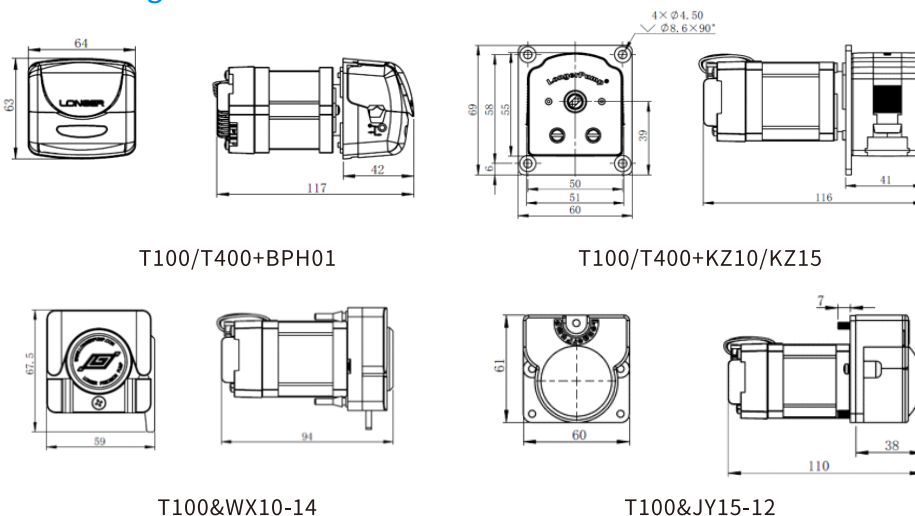
LONGER

A Halma company

SC01 Series with Integrated Driver



- Compact size and structure, utilizing a NEMA 17 stepper motor with an integrated driver
- Communication control of the pump via the RS485 interface (supporting the Modbus RTU).
- Compatible with various peristaltic pump heads with a wide flow range.



	T100-SC01&BPH01 T100-SC01&WX10-14-H	T100-SC01-02 T100-SC01&JY15-12-C	T400-SC01&BPH01 T400-SC01-02
Pump Speed	0-100rpm		0-400rpm
Speed resolution	Modbus protocol:0.01rpm Longer OEM protocol:0.1rpm		Modbus protocol: 0.01rpm Longer OEM protocol:1rpm
Control function	RS485 interface, supporting both Modbus RTU protocol and Longer Pump OEM protocol. Control the pump speed, start/stop, running direction, and prime status (full speed) via communication commands. And the pump status when power up can be configured.		
Communication parameters	Baud rate:1200bps, 9600bps, 19200bps, 115200bps Parity:None or Even Pump address:1-32 Stop bit:1 bit		
Output	DC5V 10mA		
Power supply	DC24V/8W		DC24V/12W
Dimensions(L*W*H)	With BPH01 pump head:117x64x63mm With KZ10/KZ15 pump head:110x60x69mm With WX10-14 pump head:94x59x67.5mm With JY15-12 pump head: 116x60x61mm		
Mounting method	Panel mount		
Working condition	Temperature: 0°C-40°C, relative humidity<80%		
Weight	With WX10-14 pump head: 0.47kg; With BPH01/JY15/KZ10/KZ15 pump head: 0.54kg		

Pump Drive	Max Speed	Pump Head	Tubings	Max Flow Rate(mL/min)
T100-SC01-02	100rpm	KZ10	ID≤3.17mm, W.T. : 0.86mm	23
		KZ15	13#, 14#, 19#, 16#	42
T400-SC01-02	400rpm	KZ10	ID≤3.17mm, W.T. : 0.86mm	92
		KZ15	13#, 14#, 19#, 16#	168
T100-SC01&BPH01	100rpm	BPH01(Included)	13#, 14#, 19#, 16#, 25#	82
T400-SC01&BPH01	400rpm	BPH01(Included)	13#, 14#, 19#, 16#, 25#	340
T100-SC01&WX10-14-H	100rpm	WX10-14-H (Included)	ID≤3.17mm, W.T. : 0.8-1mm	40
T100-SC01&JY15-12-C	100rpm	JY15-12-C(Included)	25#, 17#	170